



FIRESTOP CENTRE

Authorised New Zealand Distributor
Ph (09) 483 4000 www.firestopcentre.co.nz

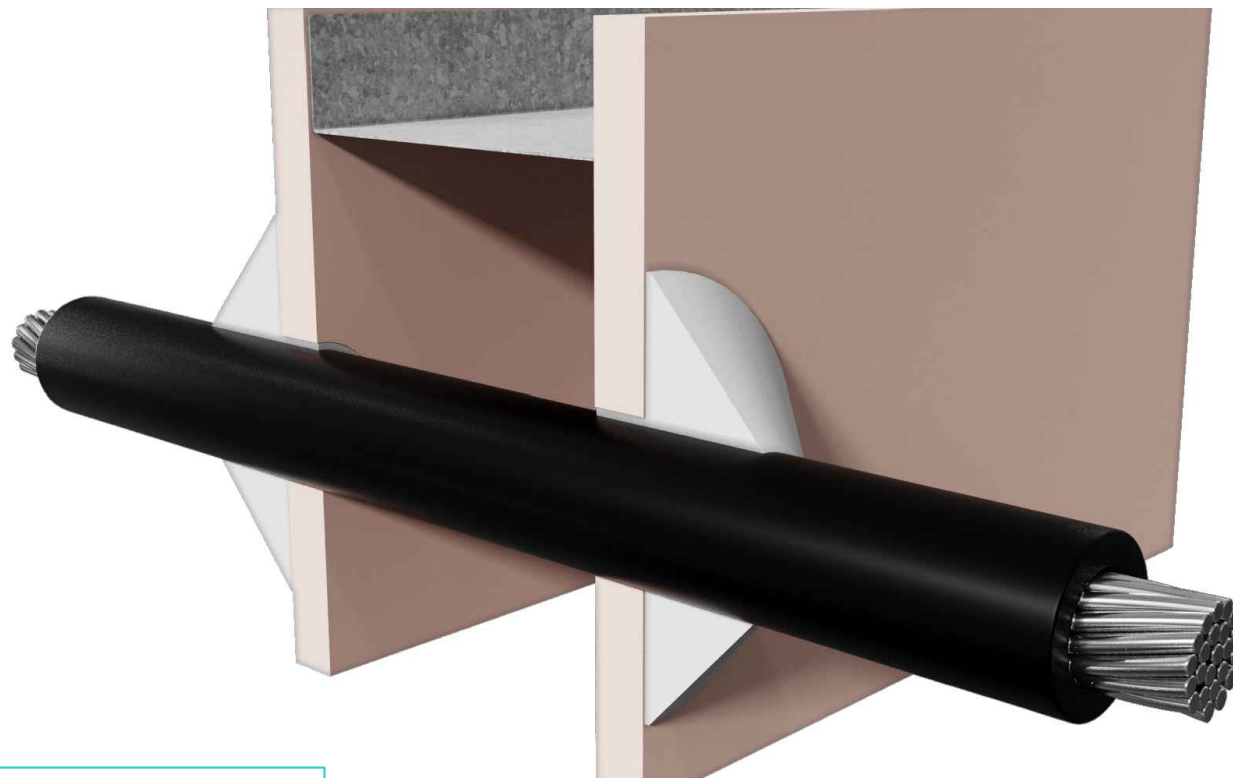
AGNI-Seal in 1x13mm Plasterboard Wall or 90mm Concrete/Masonry/Block Wall Aluminium Core Cable (25 - 52mm) diam

Max FRR -/60/60

System ID# FC890

Step-by-step installation instructions:

1. Ensure the aperture is free from dust and debris.
2. Seal annular gap between the service and the wall with AGNI-Seal.
3. Apply a 30mm x 30mm AGNI-Seal fillet/cone around the cable back to the wall.



Technical Information

Substrate	<ul style="list-style-type: none"> • Min. 64mm timber or steel stud wall with a minimum of one layer of 13mm (or greater) FR plasterboard on each side, with or without insulation. • Min. 90mm concrete wall
Service range	25mm up to 52mm Aluminium cables
Annular gap	1.5 - 8.2mm
AGNI-Products	AGNI-Seal
Protection installation	Coned - both sides of the wall

Compliance Information

Standards	AS1530.4-2014, AS4072.1-2005
FRR/FRL	25 & 30mm Aluminium cables -/60/60 52mm Aluminium cable -/60/30
Reference	PF24102



Agnitek[®]
FIRE RATED TECHNOLOGY

8 Clare St Bayswater
VIC 3153, AUSTRALIA
www.agnitek.com.au

Disclaimer

Agnitek reserves the right to modify product specifications without prior notice due to its ongoing research, development & certification programme. The information in this document is provided in good faith and is intended for guidance purposes only. Any accompanying drawings are solely for illustrative purposes. Since Agnitek cannot oversee installation methods or ensure site conditions, no warranties, expressed or implied, are intended regarding the products' actual performance. We do not accept liability for any loss, damage, or injury from using this information. Please take a look at the test reports displayed on a relevant AGNI-System webpage for all compliance specifics.

Date	20.12.2024
------	------------

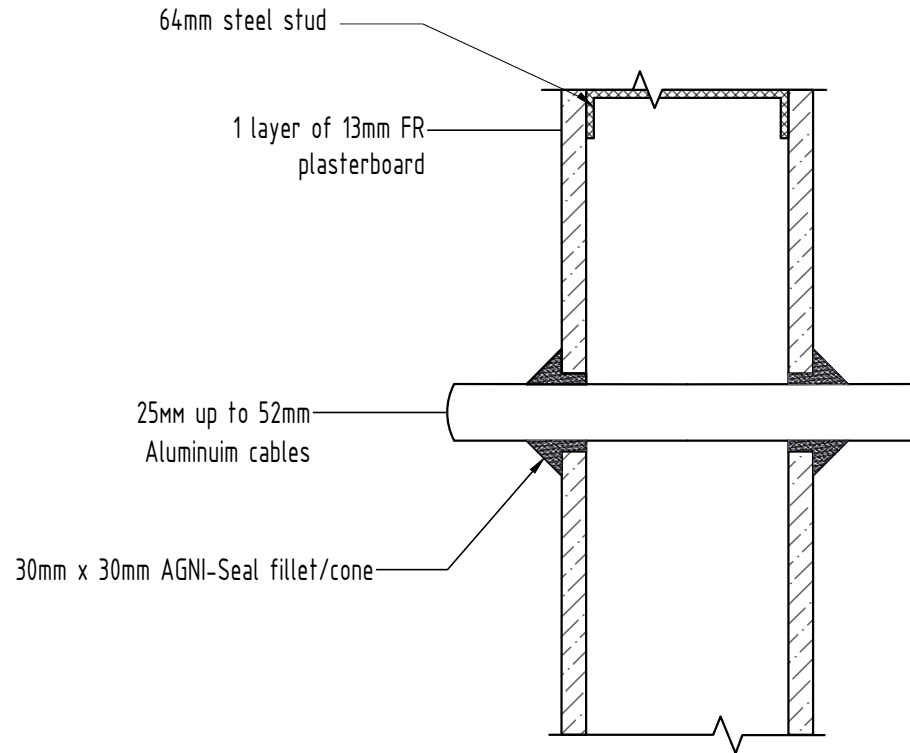


FIRESTOP CENTRE

Authorised New Zealand Distributor
Ph (09) 483 4000 www.firestopcentre.co.nz

AGNI-Seal in 1x13mm Plasterboard Wall or 90mm Concrete/Masonry/Block Wall Aluminium Core Cable (25 - 52mm) diam Max FRR -/60/60

System ID# FC890



Technical Information

Substrate	<ul style="list-style-type: none"> Min. 64mm timber or steel stud wall with a minimum of one layer of 13mm (or greater) FR plasterboard on each side, with or without insulation. Min. 90mm concrete wall
Service range	25mm up to 52mm Aluminium cables
Annular gap	1.5 - 8.2mm
AGNI-Products	AGNI-Seal
Protection installation	Coned - both sides of the wall

Compliance Information

Standards	AS1530.4-2014, AS4072.1-2005
FRR/FRL	25 & 30mm Aluminium cables -/60/60 52mm Aluminium cable -/60/30
Reference	PF24102



8 Clare St Bayswater
VIC 3153, AUSTRALIA
www.agnitek.com.au

Disclaimer

Agnitek reserves the right to modify product specifications without prior notice due to its ongoing research, development & certification programme. The information in this document is provided in good faith and is intended for guidance purposes only. Any accompanying drawings are solely for illustrative purposes. Since Agnitek cannot oversee installation methods or ensure site conditions, no warranties, expressed or implied, are intended regarding the products' actual performance. We do not accept liability for any loss, damage, or injury from using this information. Please take a look at the test reports displayed on a relevant AGNI-System webpage for all compliance specifics.

Date 12.12.2024